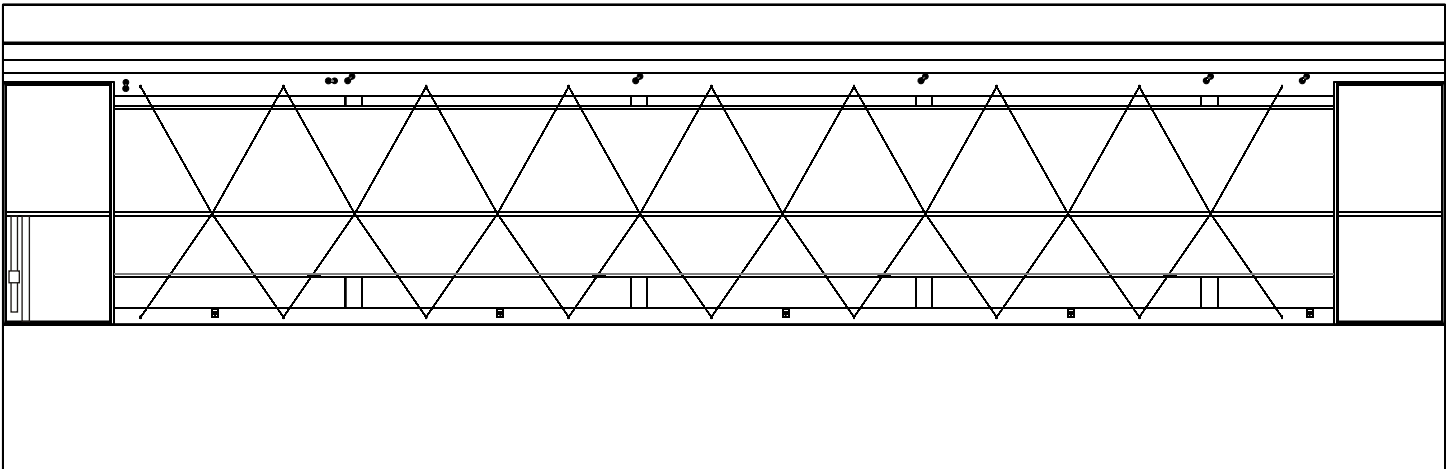


**INSTALLATION INSTRUCTIONS**  
FOR  
**SPLIT SYSTEM**  
**CABLE DOWN / ROLL-UP CURTAINS**  
**WITH WIND ROPE**



**SN01 1x3001-7005**

92 RAILWAY ST. BOX 668  
SEAFORTH, ONTARIO, CANADA NOK 1W0

TEL: (519)527-2470  
FAX: (519)527-2560

## To Begin Your Installation

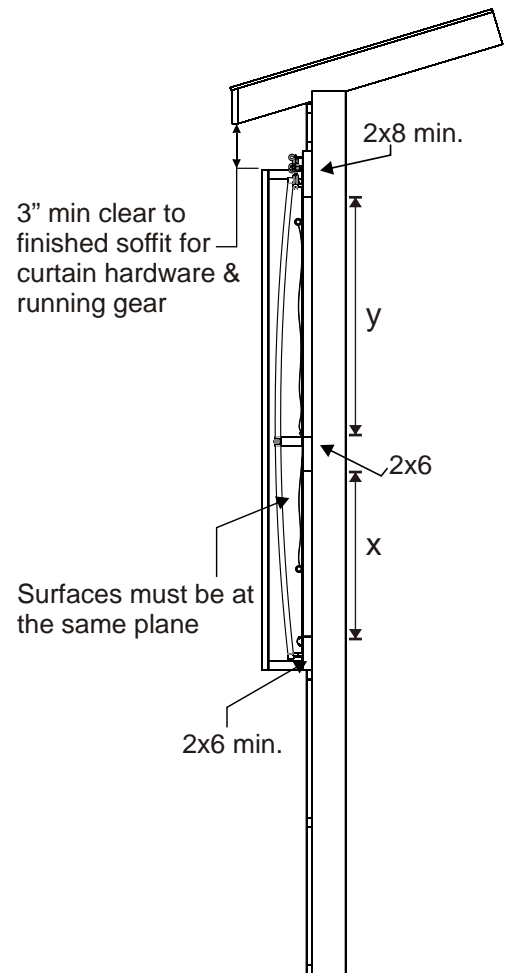
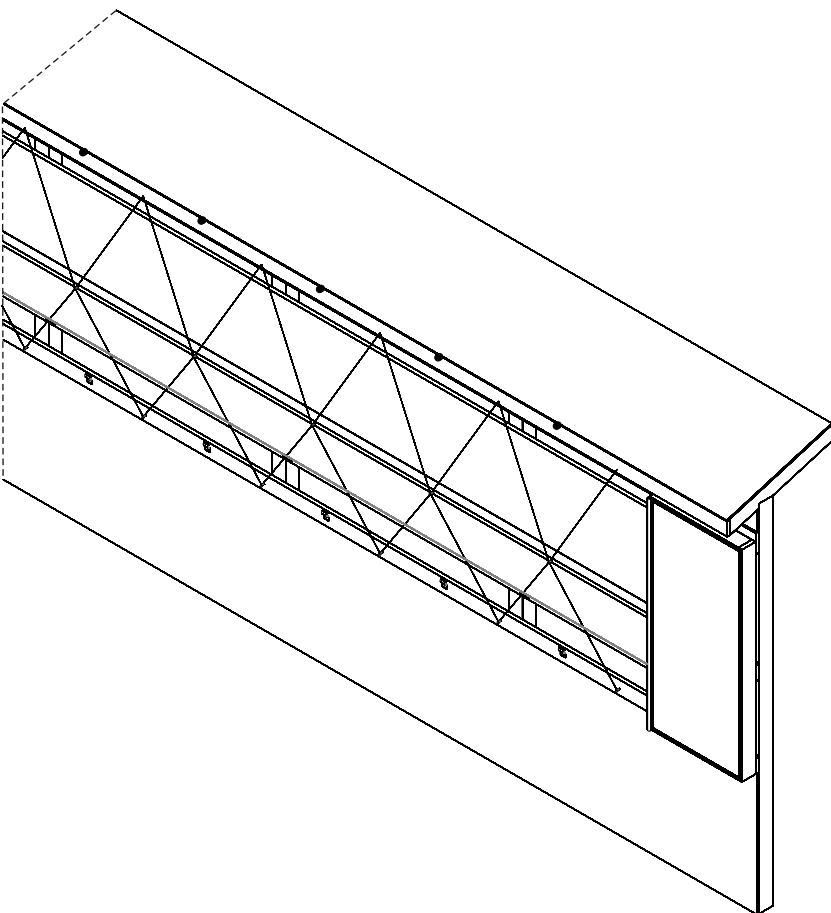
### Before you start, have you checked the following?

1. Measure the length and height of the opening to be sure it corresponds to the size of the curtain ordered. See table (right).
2. For this application you will be required to install a 2x4 sill along the opening. This 2x4 will give you the operating space for the curtain to be rolled up.
3. Do you have a 2x8 min. header above the opening?
4. Do you have a 2x4 min. middle header along the opening? You will also require 2x4 framing for your boot ends. Ensure that you have the required 2x4 lumber on site before starting the curtain installation.
5. Is birdscreen to be installed with your curtain? If required this must be installed prior to the installation of the header and sill framing. See the section detail below.

### Tool List

- Electric or cordless drill
- Circular Saw
- 7/16" socket (required for 1/4" lag)
- Utility knife
- Common hand tools
- Hack Saw / Sawzall
- 7/8" socket (6 point)

Max "y" Opening	Curtain	Max "x" Opening	Curtain
27"	SH33	22"	SH33
39"	SH45	34"	SH45
51"	SH57	46"	SH57
63"	SH69	58"	SH69
75"	SH81	70"	SH81
87"	SH93	82"	SH93
99"	SH105	94"	SH105



---

## Common Parts for SN011x3001-7005



SN018X1001-7:  
SH33-SH105  
Single hem poly curtain.



SN020X9102:  
Galvalume tube 1" O.D.  
x 20ft one end swaged



SN022X4120:  
White 1" Wood Grips



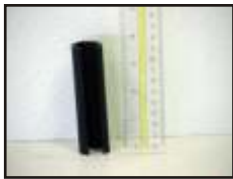
SN022X0403:  
Pan soc tek screw  
Z 10 x 1/2



SN020X2270:  
White plastic strip  
7/8" wide x 8 ft.



SN022X0701:  
S.A.E. Flatwashers  
Zinc 1/4



SN020X2251:  
Tarp clip for 1"  
tubing



SN022X4003:  
Hex Lag Screws  
Z 1/4 x 2-1/2



SN020X2253:  
Curtain hold down clip



SN020X2002:  
Stainless Steel cable  
3/16" diam.



SN022X4001:  
Hex Lag Screws  
Z 1/4 x 1 - 1/2



SN022X4008:  
Hex Lag Screw  
Z 1/4 x 5



SN019X1001-7:  
DH30-DH102 Double  
hem poly curtain.



SN022x4210:  
Roofing Nails Galv.  
1-1/4



SN020X2004:  
Stainless Steel cable  
3/32" diam.



SN019X1200:  
SH33 Poly Curtain  
Boot Material

---

---

## Common Parts for SN011x3001-7005



SN020X2102:  
Galv. mall wire clips  
3/16"



SN020X2009:  
Nylon Rope #6



SN020X2103:  
Galv. mall wire clips  
1/8"



SN020X2232:  
Nylon yolk pulley  
2" swivel eye



SN020X2202:  
Medium Lag Eye Bolt



SN020X9003:  
Hot dipped Galv. Rod  
1/2" 20 ft



SN021X1323:  
Gearbox Track



SN021X1330:  
9:1 Gearbox



SN022X0200:  
Carriage Bolt  
Z 1/4 x 1 1/2



SN022X0521:  
Locknut

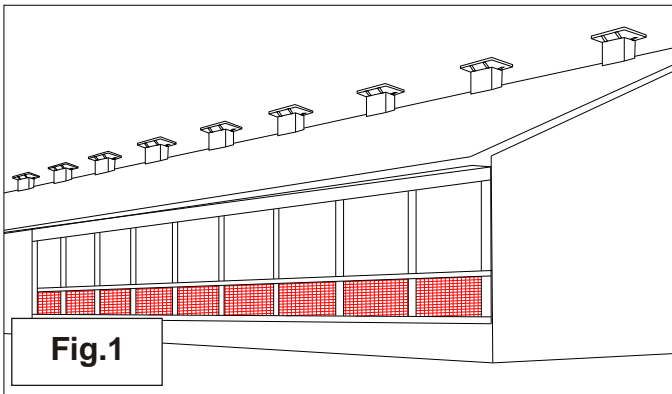
---

# Installing Your Split System Curtains

## Part 1. Installing the Lower Curtain.

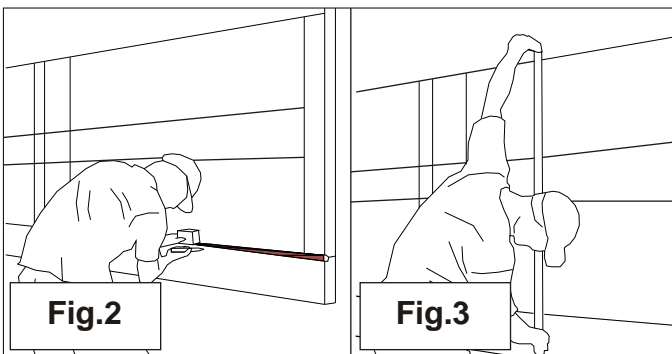
1. Take a look at the existing structure where you plan to install the new curtain:

Check the spacing of the structural columns along the entire opening of the barn. Note that birdscreen or livestock barrier should be installed prior to the Curtain installation if the project calls for this type of product. The image shown here has metal screen installed on the lower half of the opening as a livestock barrier. (Fig.1)



2. Rear boot fabric installation:

Both ends of the opening will require an end boot. The rear fabric of each end boot must be installed. Measure and mark 30" along the sill and header of the opening. (Fig.2)

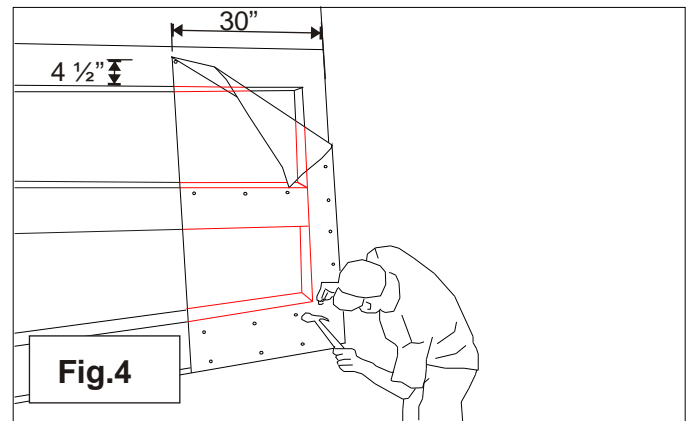


3. Measure and cut to size the rear boot material:

Measure from the top of the header frame to the lower edge of the sill frame. This is the maximum length of rear boot material that will be required. It is best to provide yourself with a little extra length and trim this off when finished. (Fig.3)

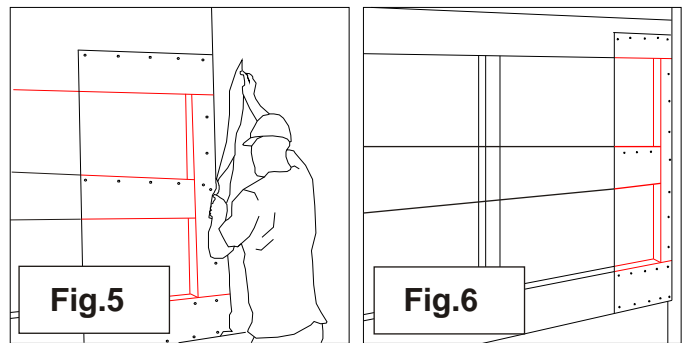
4. Tack the boot material up with roofing nails:

It is important to install the material as tight and wrinkle free as possible. Tack the top corner of the boot material 4 1/2" up from the bottom of the header 30" out from the end of the framing. Tack the material up in place using flat top roofing nails 6 to 8 inches on center. You will see that two rows of nails are used along the bottom sill. This is done so that the bottom of the inside boot material will not fill with debris. (Fig.4)



5. Trim off extra material:

Take a knife and trim off the extra length or width of material that extends beyond the header, sill and side framing of the opening. (Fig.5)



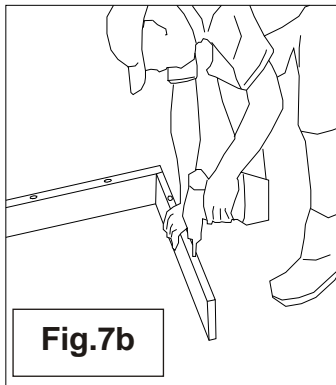
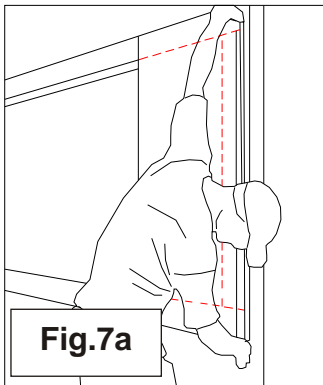
6. Both ends of the opening:

You should now have both ends of the wall opening capped with rear boot material as shown. (Fig.6)

## Installing Your Split System Curtains

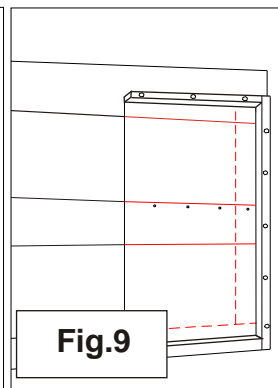
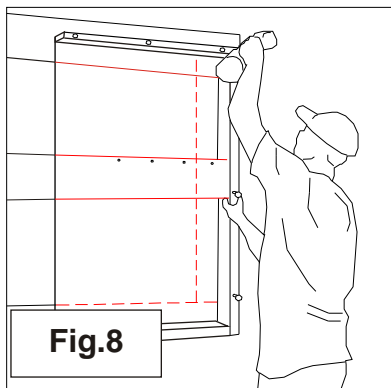
### 7. Measure and cut the required lengths of framing for the boot:

Measure from the bottom of the header to the bottom of the sill and add 4 ½". The measurement should equal the height of the rear boot material. Cut a 2x4 so that you have one piece at this measured length and two more pieces cut to a length of 30", this is done for each end. This is required for the top side and bottom of the boot to provide the depth required to clear the curtain and possible running gear. Pre-drill 5/16" holes approx 32" o.c. and place 5" lags with washers in these holes. These lags are what will hold the boot frame to the barn. (Fig.7a)(Fig.7b)



### 8. Install the boot frame:

Place the boot frame into position and drive the lags through the boot frame and into the perimeter frame. Keep the bottom of the boot flush with the lower edge of the sill framing and to the outside edge of the jamb framing. (Fig.8)

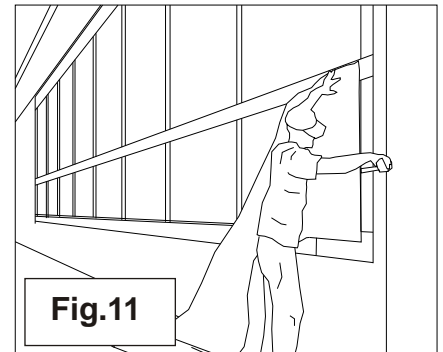
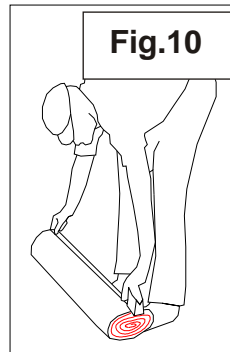


### 9. Boot frame:

You should now have a boot frame installed as shown. Each end of the opening along the barn must have this installed. (Fig.9)

### 10. Bottom curtain material:

Measure the height of the lower opening and measure the curtain width to ensure it will cover the opening height plus a minimum of 10". Measure the overall length of the opening and select the curtain material sized for the opening. (Fig.10)

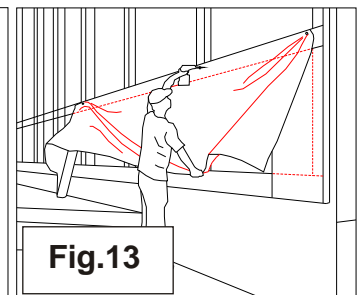
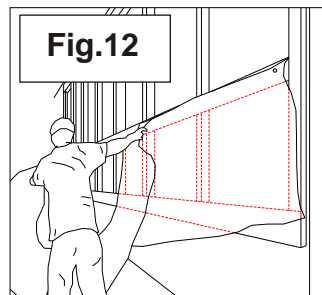


### 11. Install the bottom curtain material:

Tack the top corner of the curtain material to the upper header using a wood-grip type screw, ensure that the curtain is touching the end boot framing and the lower hem is 3" on the bottom sill (stitching of the hem should line up with the upper edge of the sill face). (Fig.11)

### 12. Installing the bottom curtain:

Walk down the opening of the structure the distance of 2 structural openings and tack the curtain again using another wood grip keeping it as tight and horizontal as possible. (Fig.12)



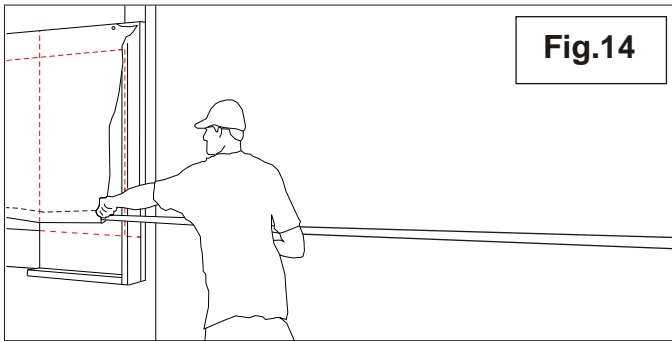
### 13. Installing the bottom curtain:

Walk back along the opening and fasten the curtain at approximately 8'-0" on center or at every structural column as shown. Follow this same operation until the entire opening is covered with the curtain. Note: do not cut curtain yet. (Fig.13)

## Installing Your Split System Curtains

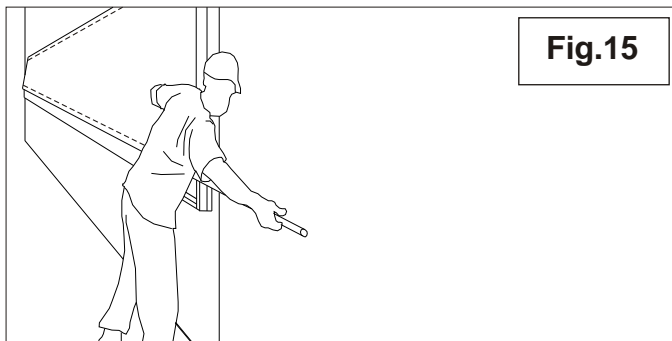
### 14. Installing pipe into the bottom hem:

Now that the curtain is hung into the opening of the structure, you can now feed or stuff the bottom pipe into the bottom hem of the curtain. Feed the first pipe into the bottom hem working from the "non-operating" end of the curtain (do not start from the end that requires a gear box). (Fig.14)



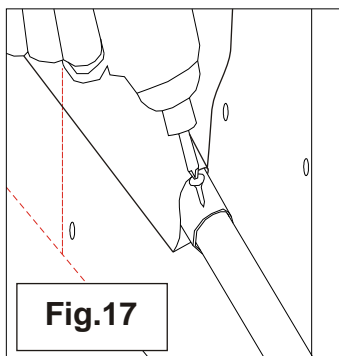
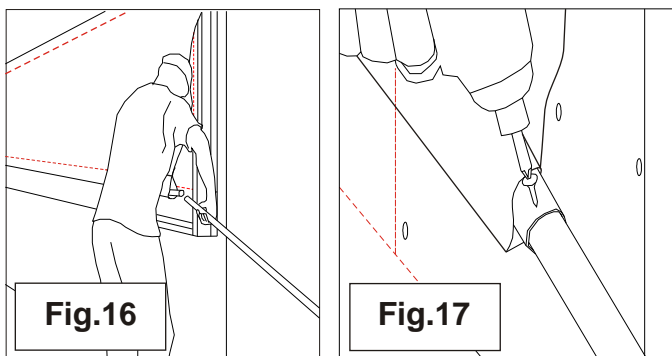
### 15. Installing pipe into the bottom hem:

Push the first pipe into the hem with approximately 12" still sticking out of the curtain. (Fig.15)



### 16. Installing pipe into the bottom hem:

Each pipe will have one swaged end to allow each pipe to connect with the next. Fit a second pipe over the swaged end of the first pipe. (Fig.16)

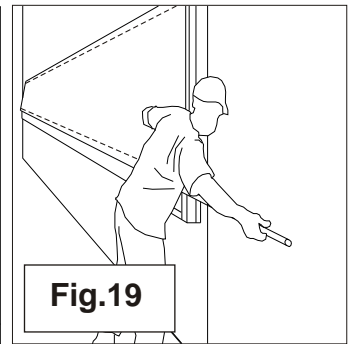
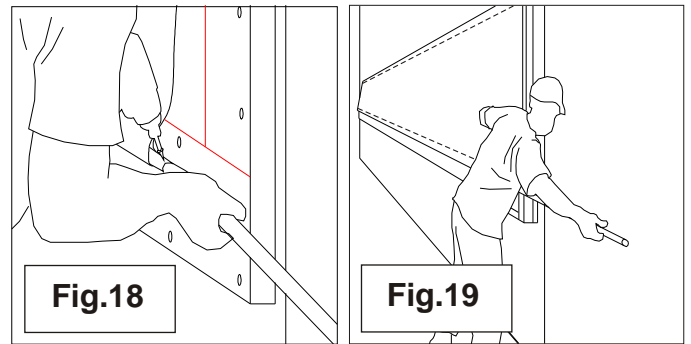


### 17. Installing pipe into the bottom hem:

Using a power tool and a #10 x 1/2 tec screw, permanently fasten both pipes together at the swaged connection. (Fig.17)

### 18. Installing pipe into the bottom hem:

Twist the pipe around 180 deg. and install a second tec screw in the same manner permanently fastening the pipe from both sides. (Fig.18)

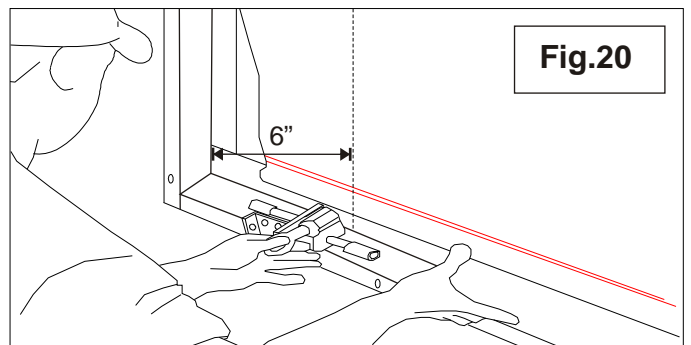


### 19. Installing pipe into the bottom hem:

Again, push the pipe into the hem and repeat until the hem is full of pipe. You will have extra pipe protruding from the curtain, leave this and walk down to the other end of the curtain (operator end of the curtain). (Fig.19)

### 20. Ensuring the correct length of pipe in the bottom hem:

At the operator/gear box end, push the bottom curtain rod back/out from the side boot to allow clearance of the gear box operator. You should allow approx 6" of space from inside of framing to the end of the pipe. If you are unsure you can hold the gear box up to the curtain so that you have a better idea of the space to leave. (Fig.20)

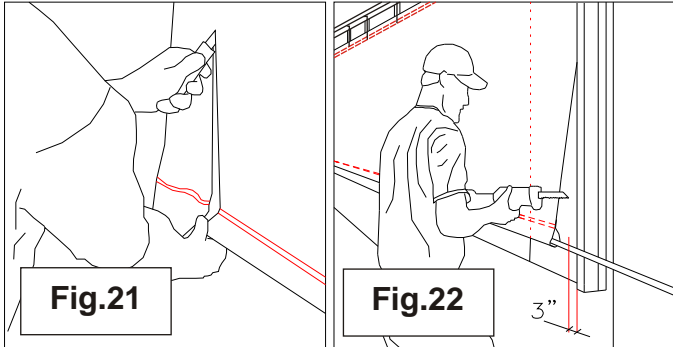




## Installing Your Split System Curtains

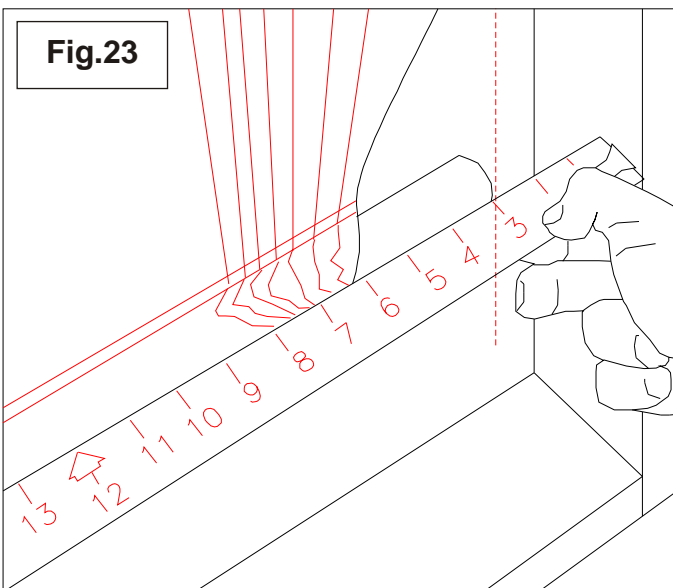
### 21. Installing pipe into the bottom hem:

The extra curtain material that is not required (above the area to where the gear box will be installed) can now be cut away (approx. 6" of curtain will be cut away up the length of the operating side). (Fig.21)



### 22. Installing pipe into the bottom hem:

Walk back to the other end of the curtain (to the non-operating end of the pipe). Push the curtain material back on the pipe and mark the pipe 3" in from the inside of the boot framing. You will now cut off the extra pipe at this mark removing the extra pipe that is left sticking out beyond the boot framing. Also see Fig.23. (Fig.22)

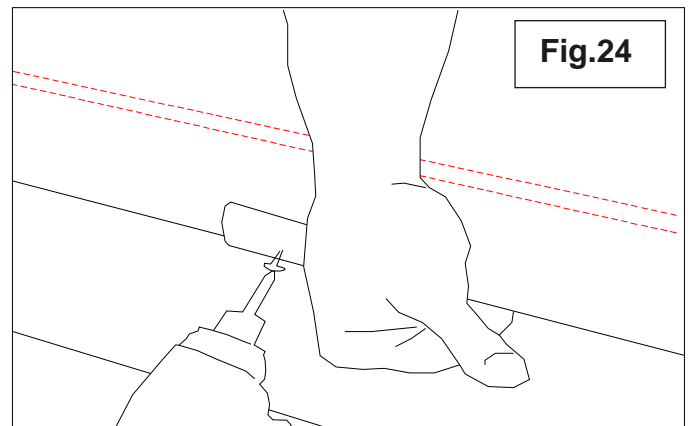


### 23. Installing pipe into the bottom hem:

With the pipe cut you will confirm that you have 3" of space between the end of the pipe and the end boot framing. Note: do not trim this end of the curtain at this time. (Fig.23)

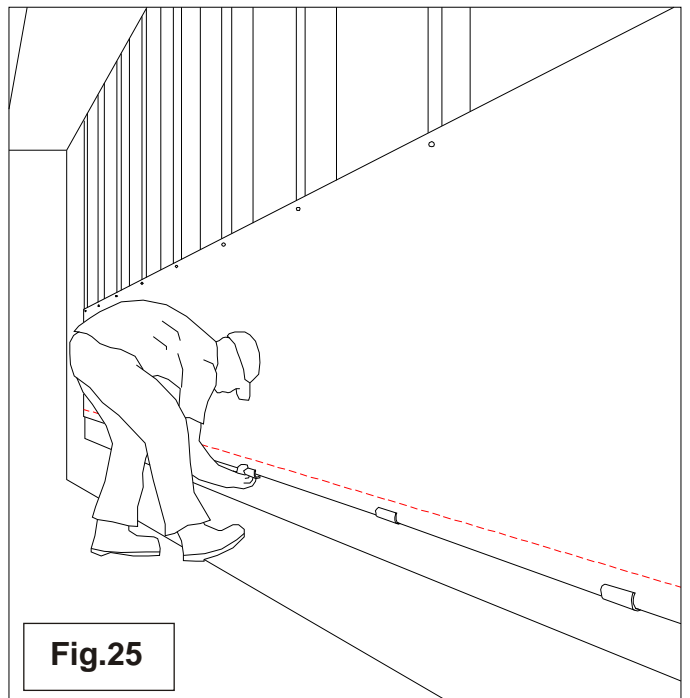
### 24. Installing tarp clips:

You now must install the tarp clips that will hold the curtain tight to the bottom pipe. A tarp clip near each end of the curtain is to be permanently fastened using a tec-screw as shown in this image. Ensure that the curtain is pulled tight into place when these are installed. (Fig.24)



### 25. Installing tarp clips:

The remainder of the tarp clips can now be installed by simply snapping them over the bottom pipe. The clips are spaced approx. 8'-0" apart and ensure that these clips are all on at the same orientation (i.e. straight up from the bottom). Every other tarp clip can be permanently fastened with a #10x1/2" tek screw. (Fig.25)

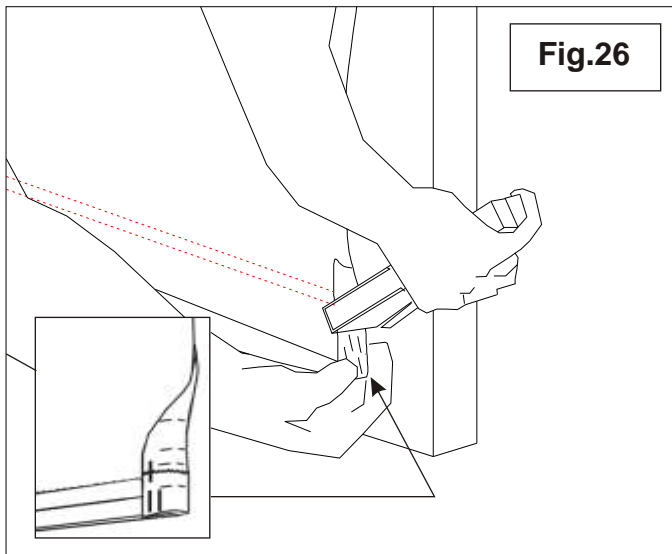




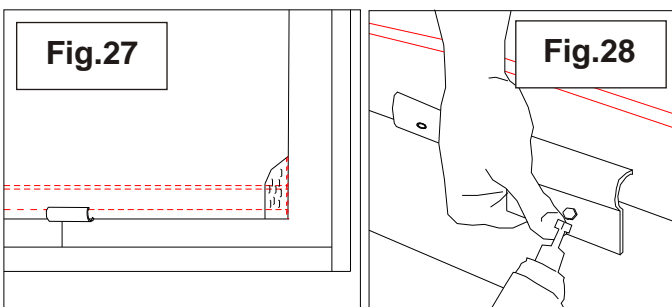
## Installing Your Split System Curtains

### 26. Close the end of the curtain hem:

The non-operating end of the curtain can now be finished by cutting the material leaving a 3" flap on the hem extending past the pipe and fold over the extra material at the hem and staple it shut. Doing this helps to stop the movement of the curtain and will also stop the hem from pulling apart. Ensure that the hem has a minimum of 2 staples over the stitching and over the opening of the pipe pocket/end. At the other end, staple the stitching only using 2 staples. (Fig.26)



### 27. This image is showing how the end of the curtain should appear. (Fig.27)



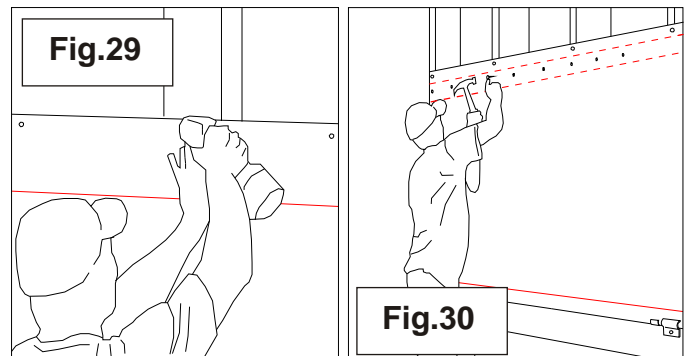
### 28. Installing the hold down clips:

A clip is installed 8'-0" o.c. using 1/4" x 1 1/2" wood lags along the sidewall opening. (Fig.28)

### 29. Adjusting the curtain keeping it tight and crease free:

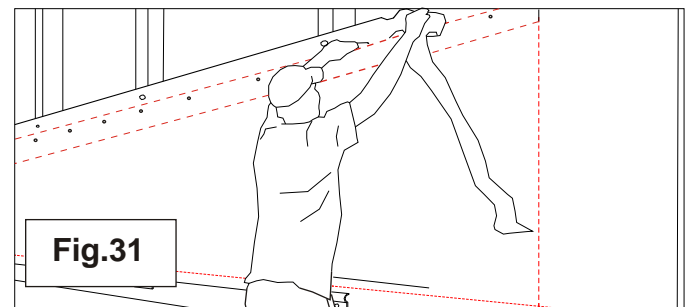
It is important at this stage to make the curtain smooth and crease free. The wood grip screws that are holding up the top of the curtain to the

header can be backed out, the curtain can then be adjusted and wood grip put back in place. (Fig.29)



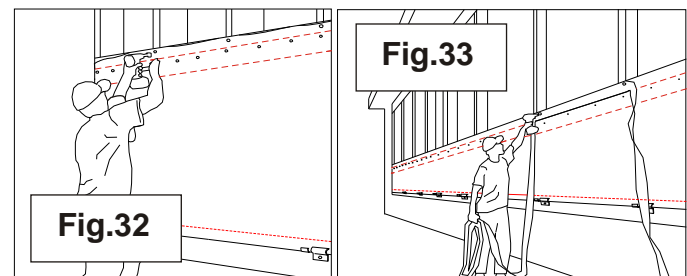
### 30. Fix top of curtain:

Now that you are happy how the curtain is hanging on the sidewall you are to permanently fasten the upper curtain to the opening. Taking roofing nails, you now hammer nails in at 8" o.c. along the middle header, 3/4" down from the top of the middle header. (Fig.30)



### 31. Remove the extra curtain material:

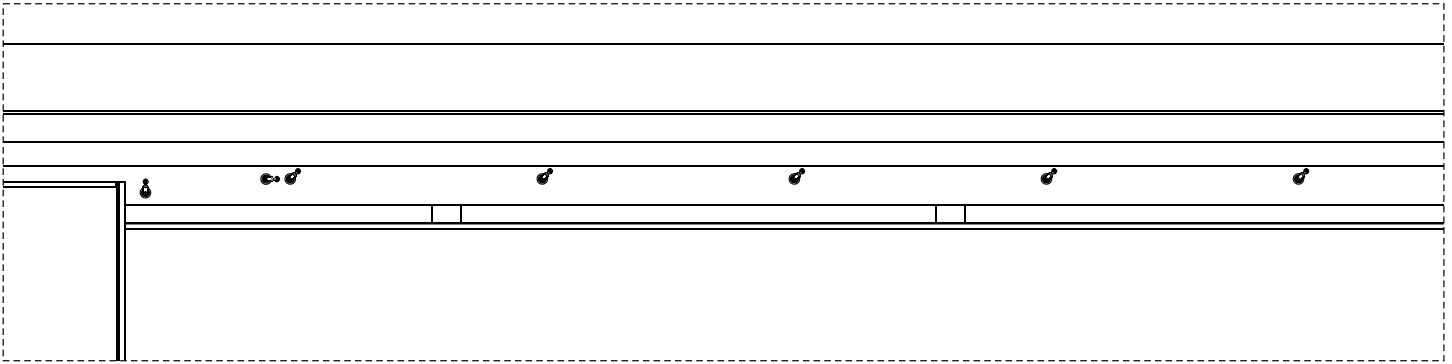
Take a sharp knife and cut along the top edge of the middle sill plate so that the extra curtain material can be removed. Be careful to not slip and damage the curtain below. (Fig.31)



### 32. & 33. Remove the wood grip screws:

The wood grips screws can now be removed freeing up the extra curtain material. Gather up the loose curtain material and discard. (Fig.32)(Fig.33)

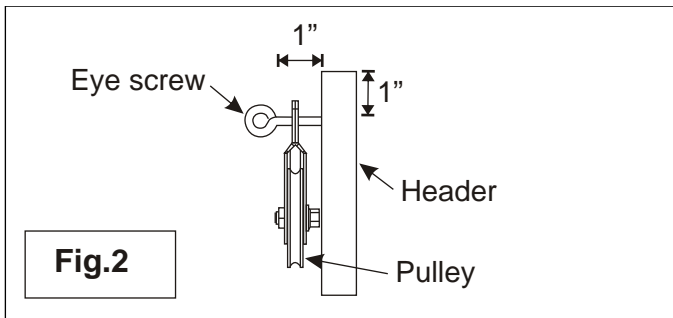
## Installing Your Split System Curtains



### Part 2. Installing the Upper Curtain.

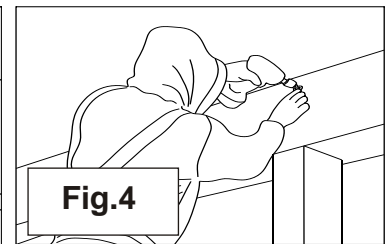
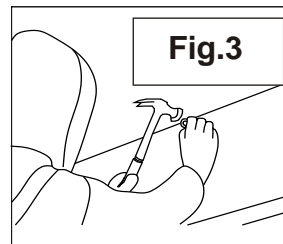
1. Installing the pulley wheels and eye screws/main cable pull:

Measure 1" down from the top of the header and scribe a line. All eye screws will be placed along this line. Start at both end of the rough opening and measure 33" to locate the first eye screws. Next measure along the line and locate the balance of the eye screws using a spacing of 8'-0" on centre for curtains up to 90" opening height (use 10'-0" o/c for curtains with openings over 90" high.) The height of 1" is critical to ensure that the curtain follows the contour of the opening and allows the main lift cables to travel freely through the eye screws.



2. At these measurements screw in 2 1/2"x1/4" eye screws with a pulley hanging from the shaft. Screw it in until there is 1" of shaft remaining out from the face of the header (this allows the pulley to swing freely).

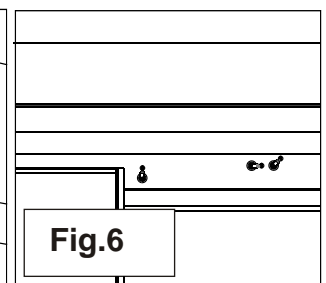
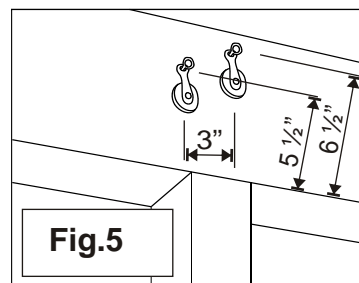
3. Installing the pulley wheels and eye screws: Start the installation of each eye screw by breaking the surface using a hammer as shown in figure 3. The hammer is only to start the eye screw into the header material.



4. Installing the pulley wheels and eye screws: Using a 7/8 socket and drill, screw the eye screw in until all threads are into the lumber, leaving 1" of shaft out as noted in figure 2.

5. Install the Standard Pulley and double back Pulley:

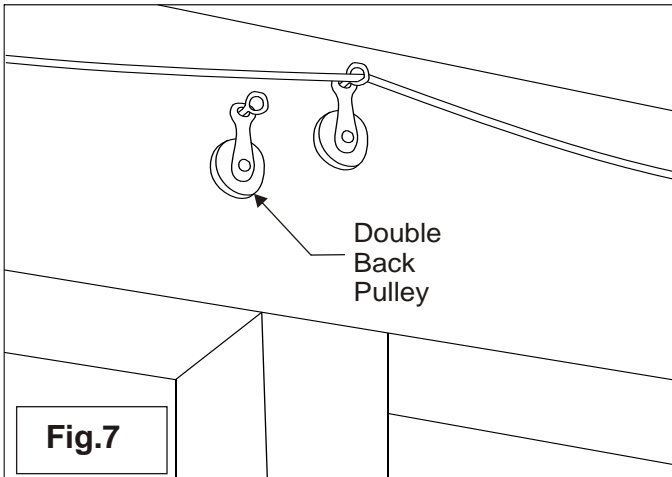
The double back is required for the first secondary cable drop (from the pull end of the main cable). (Fig.5)



6. See detail for placement of extra pulley. (Fig.6)

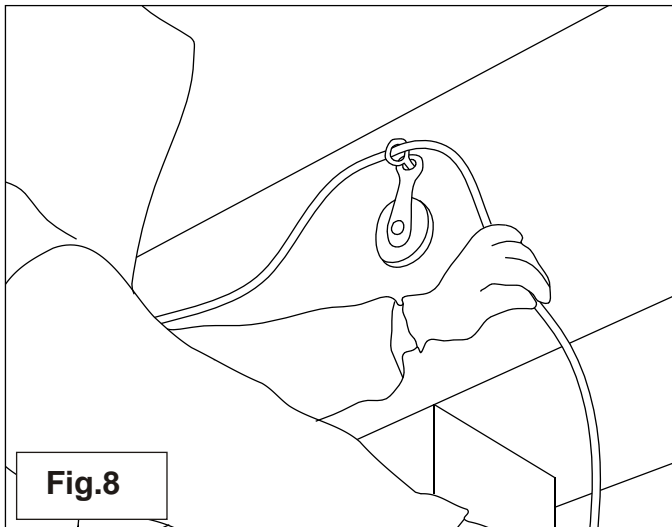
**Note: Before secondaries are installed, the other end of the main must be attached to an actuator or winch. The main cable must be pulled tight before any secondary cables are installed.**

## Installing Your Split System Curtains



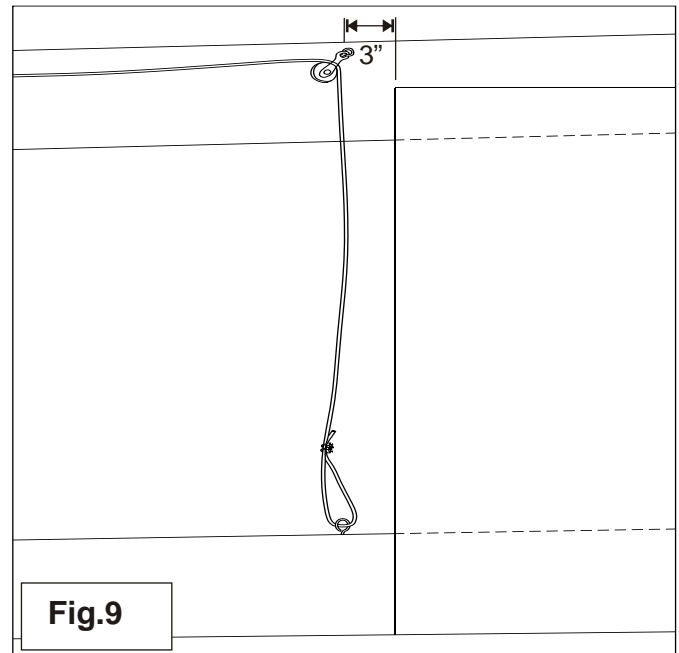
### 7. & 8. Install the Main Pull Cable:

The main cable travels from the interior of the structure around the main cable pulley and then through all of the eye screws that hold the Standard pulley wheels to the barn. **Do not** thread the main cable through the double back pulley eye screw as shown in Fig.7. (Fig.7)(Fig.8)



### 9. Installing the Main Pull Cable:

The main cable is to follow along the entire length of the building. At the last eye screw/pulley the main cable is now to pass through the pulley and **not the eye screw!** An eye screw is to be installed into the middle sill framing. The end of the main cable is then put through this temporary eye screw, looped onto itself and fastened under tension using a cable clamp as shown. (Fig.9)



**10.** The first step is finding out which end of the opening the winch or power actuator is to be mounted to (usually closest to power source).

**11.** Each cable-down style curtain will require something to operate the curtain, in most cases a winch or an automated "actuator" is used. Either case requires an outside corner wheel (SF1) to angle the cable through the header to go inside. Often this can be placed above the end boot (if there is enough room) or else in front (beside) the boot (**Caution:** most outside headers have more height available than that of the inside).

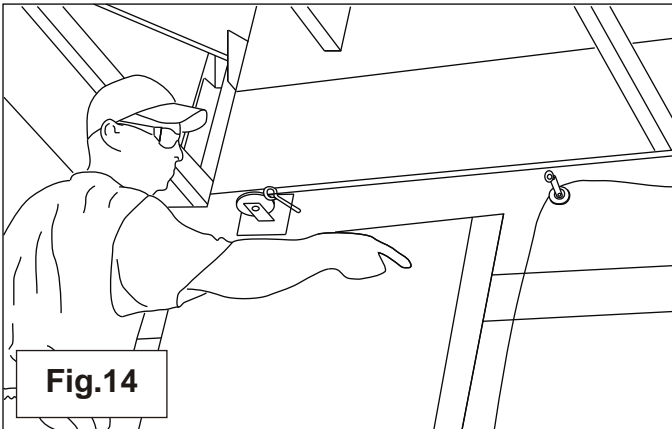
**12.** Trace mounting holes with a mark where the entry point of the cable will go through the header by setting the corner wheel in place.

**13.** With a long enough drill bit, the entry point can be drilled through both sides of the header. Pre-drill mounting holes 1/4".

**14.** Mount pulley using 3/8" x 2" lags and also put a 6" eye-screw (to be used as a guide) beside the corner wheel. Lace cable through guide eye, around pulley and through the hole into the barn.

---

## Installing Your Split System Curtains



**The following only applies if the operating mechanism is an actuator.**

**15.** Inside the building, find the hole that you drilled through the outside for your cable to come in and repeat steps 12 to 14, with the cable to go around the pulley the direction that the actuator is to be mounted.

**16.** Open the actuator and extend the sling (cable) out as far as it goes. Measure from the tip of the sling to the end of the actuator furthest from you (motor end). Add a foot to your measurement. Now you know how far away from the corner-wheel to mount the actuator.

**17.** The height of the actuator is 9 1/4". Ensure there is enough header available to mount the bottom lags in the actuator, if not, drill new 3/8" holes in the actuator for mounting.

**18.** Use the actuator measurement to find where the back end of the actuator will be mounted. The first set of holes is 14 1/2" away from the back end and the rest are 2' apart. Pre-drill the header with 1/4" hole to match the top holes of the actuator; typically 1 1/4" from the ceiling. This makes mounting the actuator much easier.

**19.** Using 3/8" x 2" lags, and a helper, mount the actuator. Finish pre-drilling and lagging the corresponding bottom holes.

**20.** Using three cable clamps, loop the cable through the actuator's sling and pull the cable as tight as you can while tightening clamps. Slide cable separator as close to the clamps as possible, tighten these two clamps as well. Trim excess cable.

**21.** If power is hooked up to the actuator at this point, allow the cable to tighten by running the actuator "up" a little bit. If power is not available yet, an extension cord can be used to power the motor, or else simply turning the motor will effectively tighten the cable. After this is done, the secondary cables can be installed.

**The following only applies if the operating mechanism is a manual winch:**

**22.** Inside the building, find the location that the winch is to be mounted. Assemble and mount the winch in an accessible location.

**23.** Mounting the inside corner wheels can follow steps 12-14, only the pulley (SF1) should be angled towards the winch to minimize wear on the corner wheel.

**24.** Using a minimum of 2' for extra cable, resume threading the cable through the necessary available holes in the winch to secure the cable (should not slip). Crank winch until it seems tight enough. After this is done, the secondary cables can be installed.

**25. Double Pull System** (Short Actuator, tall curtain):

A double pull system is used in most cases for taller curtains (greater than 6' in height) and require this type of setup. Instead of a giant actuator capable of lifting an 8' curtain, a 4' actuator is used. To use this 4' actuator you must double the pull range of the 4' actuator using an extra pulley. If your system requires this follow steps 15-21 for actuator mounting.

**26.** The difference with the double pull systems are an extra corner wheel and a two part line pulley is added. The second corner wheel is added beside the inside corner wheel. Offset the second pulley by moving it down 3" from the first pulley. On the two part line pulley, take the 3/8" bolt and nut apart and tighten it back up after putting the sling of the actuator through it.

**27.** The cable can now come from outside, through the barn around the first corner wheel, through the two part line pulley and it is to be secured by clamping a loop around the second corner wheel.

## Installing Your Split System Curtains

### If using an actuator set the limit switches now:

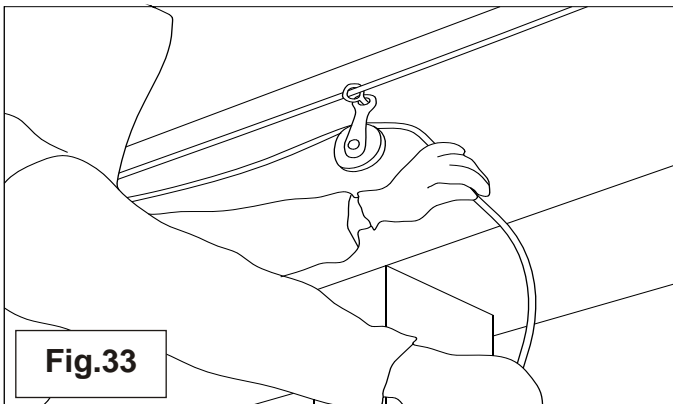
**28.** This is an extremely important step. Due to the amount of power the actuator has, failure to set the limits can cause extensive damage to the curtain system and possibly the building.

**29.** First raise the curtain to its “top” limit in the opening, this means when the top hem of the curtain has overlapped the top header by 2 ½” to 3” along the opening of the building.

**30.** At this point the “pull block” in the actuator should be near the motor end of the actuator. There is a stainless steel rod running from one end of the actuator to the other. You will see a number of collars fastened to this rod, three of which are located in the section of the actuator with the threaded rod and pull block. Only these three are used for setting the limits.

**31.** Try shoving the stainless steel rod towards the motor. Notice the tension caused by compressing the spring. You must loosen the collar closest to the motor compartment (not in the motor compartment) and slide it up against the pull block. Now shove the rod again, only this time, pay attention to hear a small click. This is the sound of the limit switch triggering its off position. When you hear this click, tighten the collar against the pull block.

**32.** The same steps apply for the bottom limit, except you use the two collars at the other end of the actuator. After wind pipe is installed, you should run the curtain down, setting the bottom limits as low as possible without causing the cable system to slack off. Find this point, raise it a bit and then set the bottom limit.

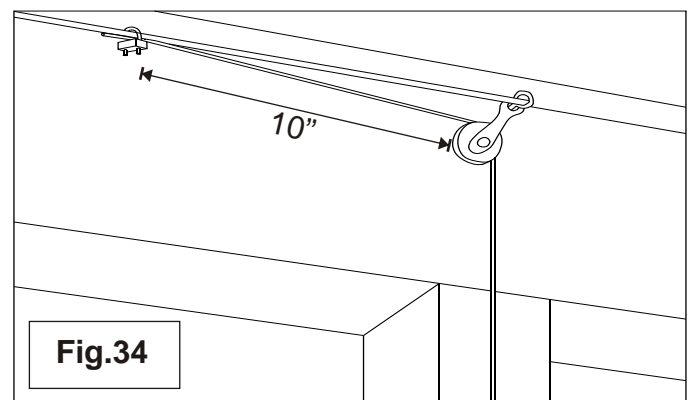


### 33. Installing secondary pull cables:

Cut secondary cables to length (opening + 20') and fasten each cable to the main and pass them through the pulley wheel. (Fig.33)

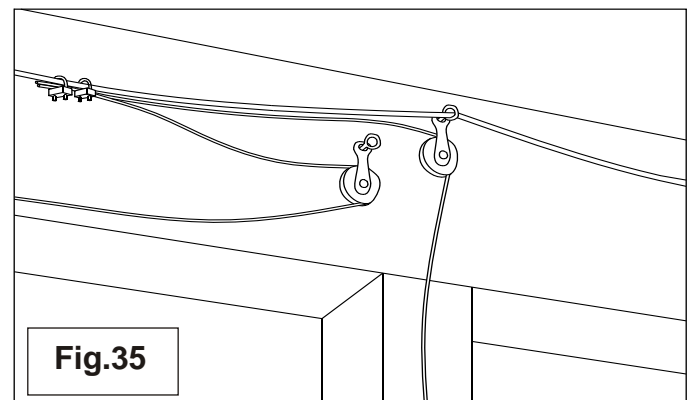
### 34. Installing secondary pull cables:

When fastening each secondary, use one cable clamp and provide 10” from the pulley wheel when the curtain is fully open ensuring there is enough travel between cable clamp and next pulley down to lift the entire curtain. (Fig.34)



### 35. Double Back Pulley Secondary Hookup:

The Secondary for the double back and standard pull must have 2 cable clamps installed as shown below. (Fig.35)



### 36. Double Back Pulley Secondary Hookup:

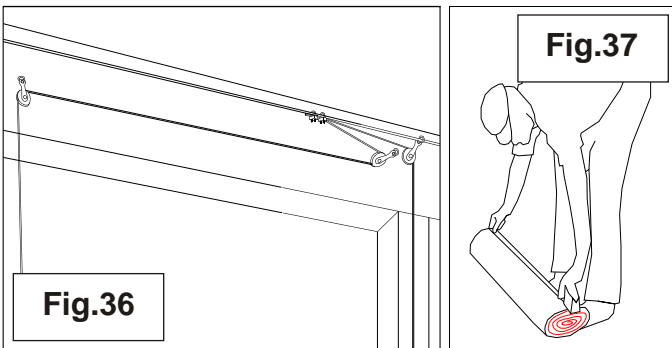
Put the double back under tension to ensure that they will not interfere with other cables. (Fig.36)

### 37. Installing the curtain material:

Measure the opening that is to be covered. It is

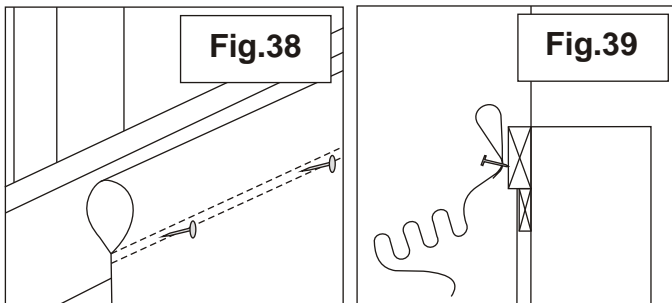
## Installing Your Split System Curtains

important to check your curtain material to ensure that it is larger than the opening height. (Fig.37)



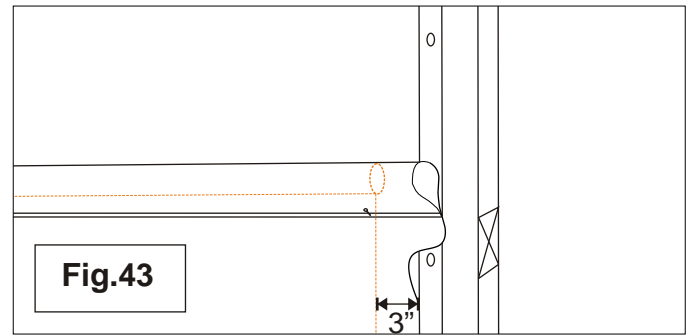
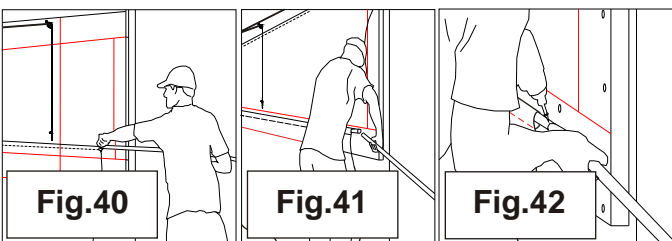
**38. & 39.** Installing the curtain material:

Pull out the length of curtain required to cover the sidewall opening. Temporarily hang the curtain to the middle header of the opening tacking the curtain in place using nails. Do not drive the nail all the way in so that it can be removed. Also note to install the nail between the two rows of stitching but do not break the stitching. (Fig.38)(Fig.39)



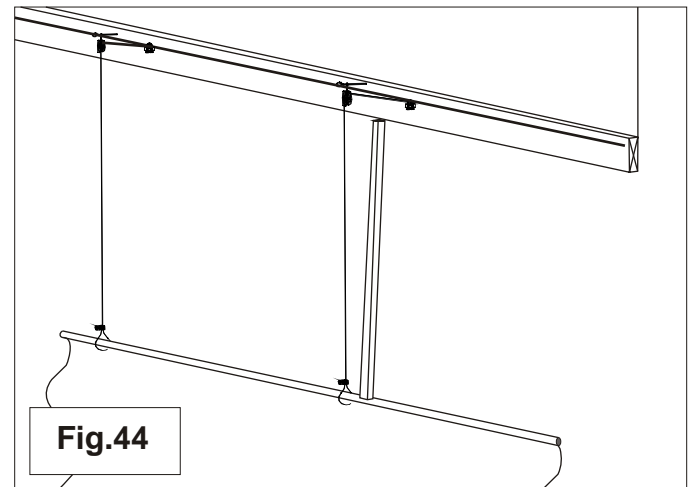
**40, 41 & 42.** Install the upper curtain pipe:

With the curtain temporarily hanging in place you can now install the upper curtain pipe by sliding each length of pipe into the upper hem. Each pipe will be wedged so that the next pipe can be joined to each other. Two self tapping tec screws are used to permanently fasten the pipes together. (Fig.40)(Fig.41)(Fig.42)



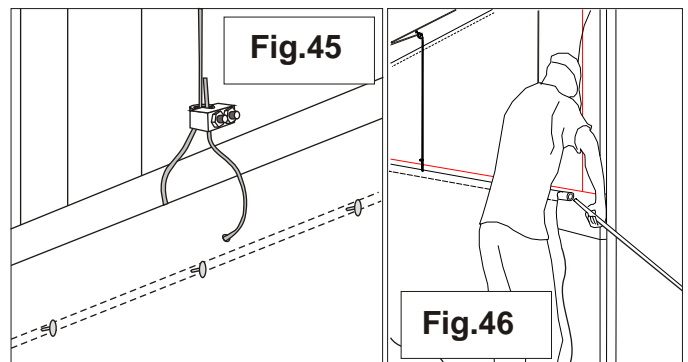
**43.** Install the upper curtain pipe:

Continue to install upper curtain pipe until the entire hem is filled. The pipe should be cut to fit leaving 3" from end of pipe to the end of the boot framing at both ends of the opening. (Fig.43)



**44.** Keeping everything level:

Using a scrap pipe, wood, etc., cut a length measuring from the top of the hem of the curtain, to the bottom of the top header, creating a guide stick which will be used to make sure the curtain will be hooked up and essentially seal evenly along the entire length of the building. (Fig.44)





## Installing Your Split System Curtains

**45.** Hooking up the secondary cables to the curtain:

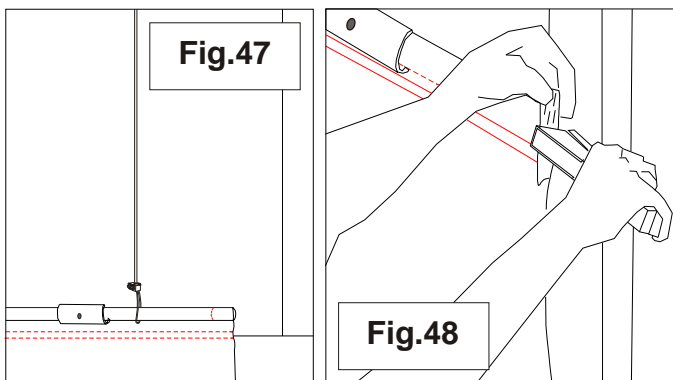
Starting at the pull end (nearest the corner wheel/actuator), poke a small hole through the top hem of curtain directly under the top hem pipe, in line with the first drop cable when pulled straight down (we use a cut-off nut driver; a sharp, hollow tube). Add a small clamp onto the cable, and guide the cable through the back of the hem. Pull the cable through the curtain and loop it back on itself through the clamp.

Hold guide stick on top of the curtain pipe, and pull the cable up until the stick hits the bottom of the header. Tighten the cable clamp with a 5/16" nut driver and snip off excess cable. Repeat this process until you reach the far end where the main cable is secured to the temporary eye-screw.

Loosen the cable clamp. Note: the curtain may jump up due to the initial tension created by actuator/winch. If a jump does occur, use best judgment to compensate when tightening cable, as the stick will no longer be accurate. (Fig.45)

**46.** The top hem pipe requires a 20' length of weighted rod which is inserted into the top hem pipe at each end of the curtain. This helps to ensure that when the curtain is fully open the weight will help the curtain fold evenly. (Fig.46)

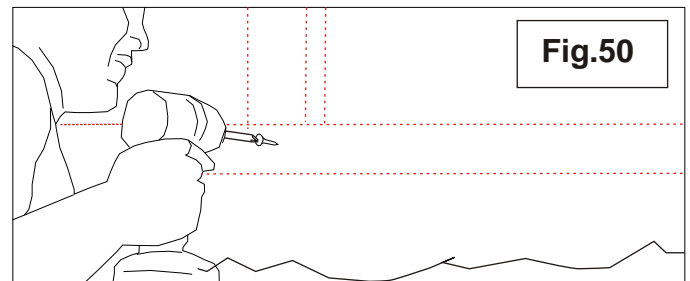
**47.** The Tarp Clips should now be fastened to each end of the curtain. Snap a tarp clip on each end and fasten with a #10 x 1/2" Tec screw. (Fig.47)



**48.** Fold over the material capping over the end of the pipe and rod. Staple closed as shown. (Fig.48)

**49.** Make sure that there are no temporary nails left holding the curtain to the sill or any other possible

objects that could hang up on the curtain when it is raised. Raise the curtain until the top hem overlaps the header by 2 1/2" to 3" for optimum seal. Make sure to check that the bottom of the curtain overlaps at least the top 2" or so of the lower sill plate. Refer to actuator instructions to set the limits if an actuator is being used. **Caution: limits must be set in order for the actuator to stop at the correct time or distance. Failure to set the limits can result in extensive damage to the assembly.**

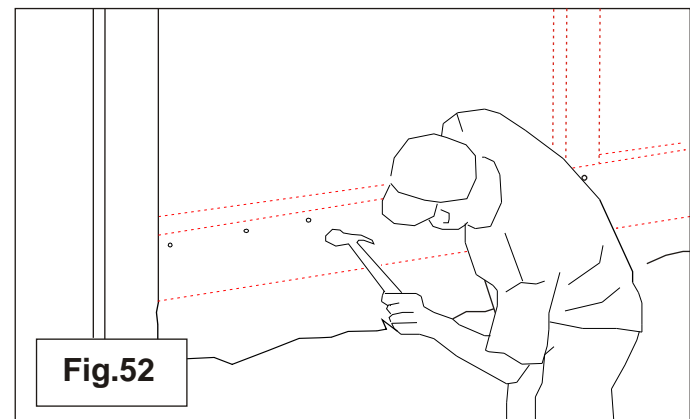


**50.** Fix bottom of curtain:

Using wood grips, tack the bottom of the curtain every 8' o.c. on post in line with roofing nails from bottom curtain. If excessive wind is present, tack every 4'. (Fig.50)

**51.** Adjusting the curtain keeping it tight and crease free:

It is important at this stage to make the curtain smooth and crease free. The wood grip screws that are holding down the bottom of the curtain to the lower sill plate can be adjusted to minimize wrinkles before permanently fastening curtain to the building.



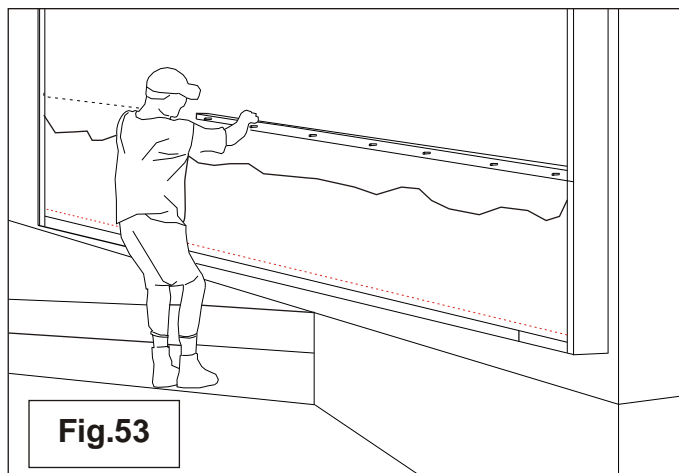


## Installing Your Split System Curtains

**52.** Now that you are happy with how the curtain is hanging on the sidewall, you are to permanently fasten the curtain to the opening. Taking roofing nails, you now hammer nails in at 8" o.c. along the middle header,  $\frac{3}{4}$ " down from the bottom of the opening, between nails from bottom curtain.(Fig.52)

**53.** Installing the 2x4 lower sill plate:

First measure out the full length of the opening as you will need to know this for the installation of the continuous lower 2x4 sill. You will be required to pre-drill holes at 24" o.c. into the edge of each length of 2x4. With each sill pre-drilled, place  $\frac{1}{4}$ " x 5" lag with a  $\frac{1}{4}$ " flat washer into each hole. One person is now able to hold the sill at its mid point and fasten it at the correct position on the barn opening. You must ensure that the top of the 2x4 sill is flush with the top of the middle header.

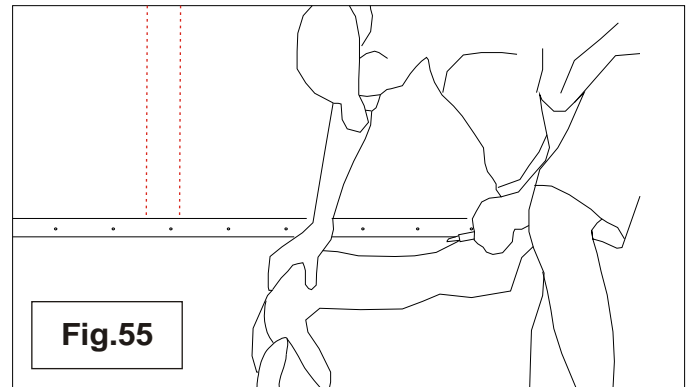


**54.** Installing the 2x4 lower sill plate:

Ensure that the 2x4 sill is installed level over the entire opening of the barn. The sill will complete the framing of the end boots as it will cap the middle of the boot framing.

**55.** Remove the extra curtain material:

Take a sharp knife and cut along the bottom edge of the 2x4 sill so that the extra curtain material can be removed. Be careful not to cut the lower curtain.



**56.** Remove the wood grip screws:

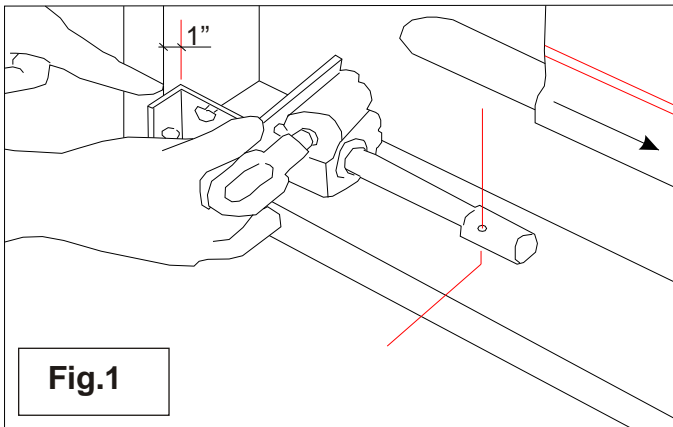
The wood grips can now be removed freeing up the extra curtain material. Gather up all loose curtain material and discard.

## Installing Your Split System Curtains

### Part 3. Gearbox Installation.

#### 1. Gearbox installation:

It is important to ensure that the gearbox has room to move along the boot framing and that the pipe installed in the bottom hem is the correct length. Line up the gearbox so that it will have 1" clearance from the side framing and measure the distance to where the pilot hole is on the gearbox drive shaft.

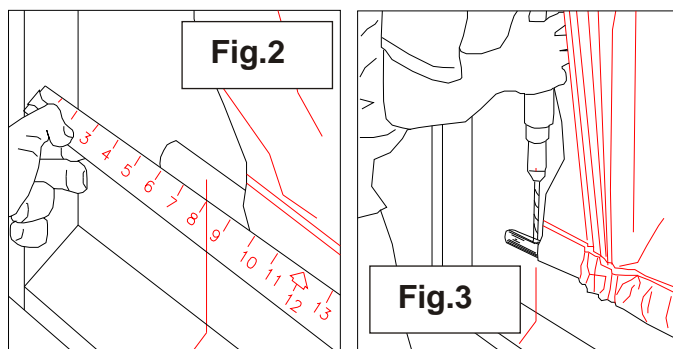


#### 2. Gearbox installation:

Carry the measuring tape up the side of the boot framing and make a mark at the same distance on the lower pipe that is in the bottom hem of the curtain. (Fig.2)

#### 3. Gearbox installation:

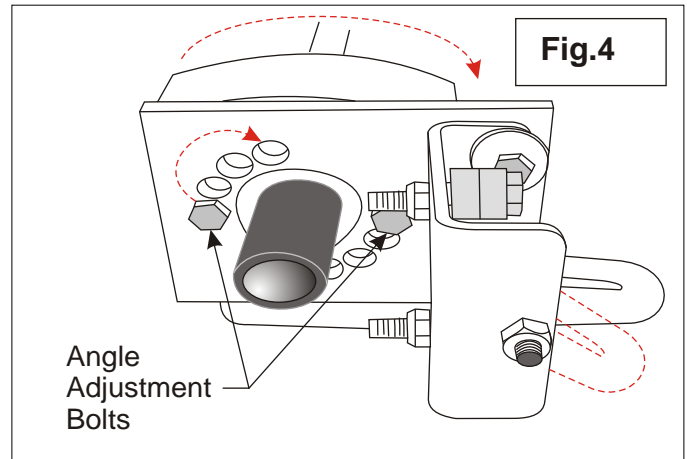
You will now drill a 1/4" hole through the bottom pipe on the mark that you have made. You may have to push the material back along the pipe to gain access to the proper amount of pipe. (Fig.3)



#### 4. Angle adjustment:

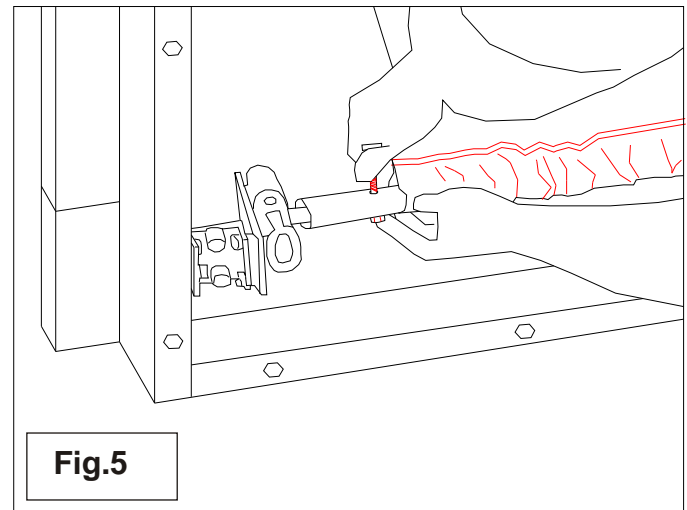
The angle of the gearbox can be adjusted on its mounting to enable smooth operation at different

heights on the sidewall. The higher the curtain is on the sidewall the gearbox must be adjusted to compensate to allow operation. (10mm wrench may be required) (Fig.4)



#### 5. Gearbox Installation

Feed the gearbox into the bottom pipe and install the 1/4" x 1 1/4" carriage bolt through the hole that you drilled in the pipe. The bolt should pass through the hole in the pipe, through the gearbox shaft and out through the bottom of the pipe. Install the lock nut on the bolt and then push the material back along the pipe. (Fig.5)

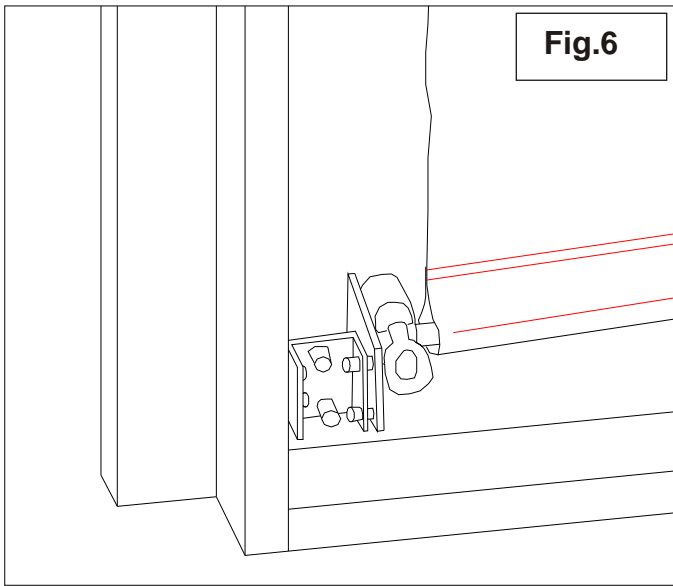


6. The Gearbox is now installed and should look as shown:

Note: the angle of the hoop/handle on the gearbox can be adjusted so that binding will not occur during operation at higher locations from grade level. The angle is adjusted by removing the mounting plate, rotating and reinstalling the bolts in the alternative holes. (Fig.6)

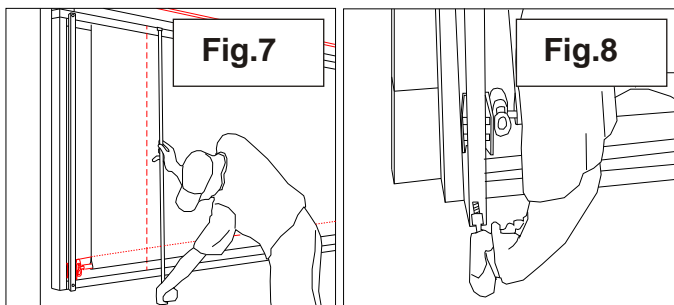
---

## Installing Your Split System Curtains



### 7. Installing the Gearbox Track:

Measure the overall height of the framed lower opening (from top of 2x4 sill to bottom of boot frame) as this is the dimension you will use to cut the correct length of gearbox track. Pre-drill a  $\frac{1}{4}$ " hole in both ends of the track  $\frac{3}{4}$ " in from the end (used to mount the track to the framing). (Fig.7)



### 8. Installing the Gearbox Track:

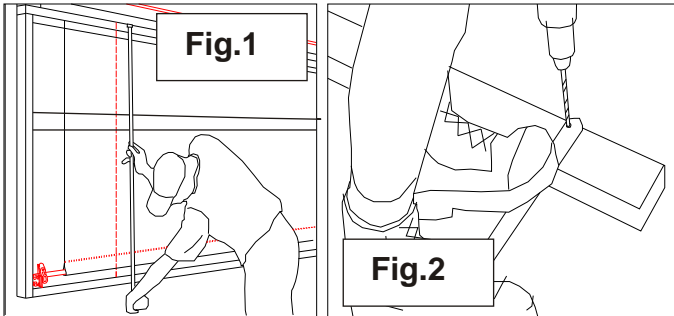
Feed the track into the wheel of the car body (this is part of the gearbox assembly).  
Mount the track vertically/plumb with a 3" lag at both ends. (Fig.8)

---

## Installing Your Split System Curtains

### Part 4. Finishing the End Boots.

1. Again, measure the full framed opening from top of the top boot frame to the bottom. You will use the measurement to cut a length of pipe that will be used to support the boot material for each end. (Fig.1)

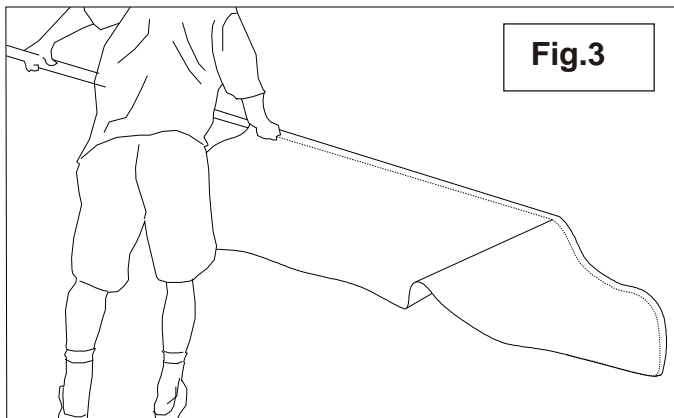


#### 2. Finishing the End Boots:

Pre-drill a  $\frac{1}{4}$ " hole at each end of this boot pipe  $\frac{3}{4}$ " from the ends. (Fig.2)

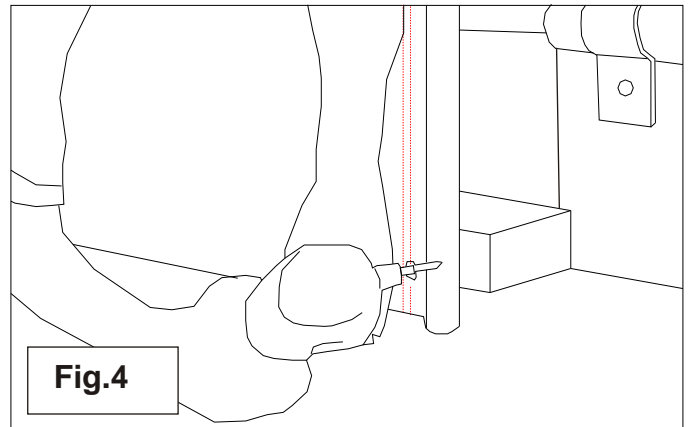
#### 3. Finishing the End Boots:

Cut boot material 6" longer than the boot pipe and then feed the boot pipe into the hem side of the boot material. (Fig.3)



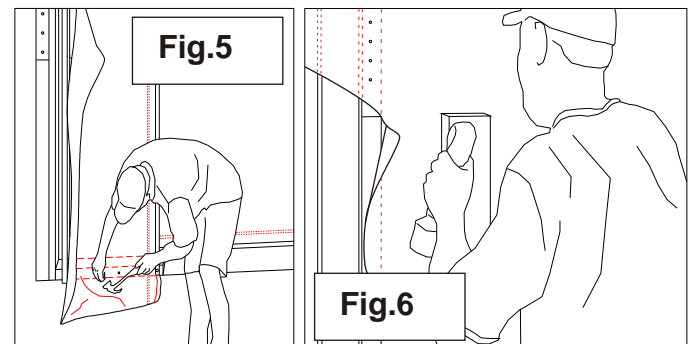
#### 4. Finishing the End Boots:

Place the boot material and pipe at the open end of the boot framing so that it is  $1\frac{1}{2}$ " from the end of the wood boot or flush with the back boot and drive a  $2\frac{1}{2}$ " lag in the top and bottom pre-drilled holes of the boot pipe. (Fig.4)



#### 5. Installing boot material:

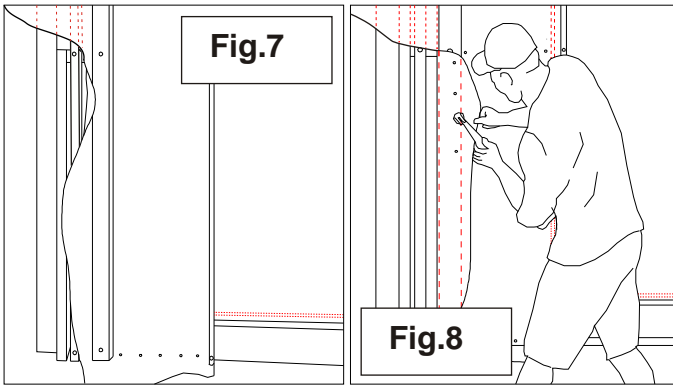
It is important to keep the boot material pulled tight and without any creases. While pulling the boot material, tack the material along the top and bottom edge of the boot framing using roofing nails. You must leave the gearbox side of the boot material free as the next thing you will do is install the side blocking that provided a finished opening to the gearbox. (Fig.5)



#### 6. Installing boot material:

Using the same measurement that you cut the gearbox track, cut a 2x4 to the same length. You will now place the 2x4 vertically over the boot framing on top of the boot material. This 2x4 should be placed 3" away from the gearbox track to ensure its free movement. Lag the 2x4 at the top and bottom fastening into the boot framing. (Fig.6)

## Installing Your Split System Curtains



### 7. Installing boot material:

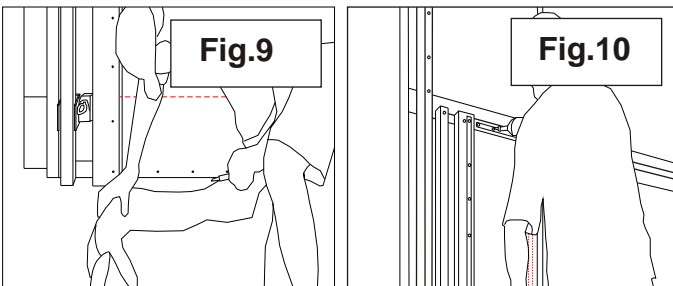
Your end boot should now look like this. (Fig.7)

### 8. Installing boot material:

You will now wrap the boot material over the 2x4 vertical and fasten the material with the same roofing nails keeping the material tight and free from creases. (Fig.8)

### 9. Installing boot material:

The extra material that extends beyond the boot framing must now be trimmed off using a sharp utility knife. (Fig.9)



### 10. Finishing the Boot:

Puck board strips are now cut to length and installed over the roofing nails using wood grip screws at 8" o.c.. Ensure to keep tension on the plastic strip as it is being installed. This will give extra support for the material and will also provide a very nice clean look to the boot.

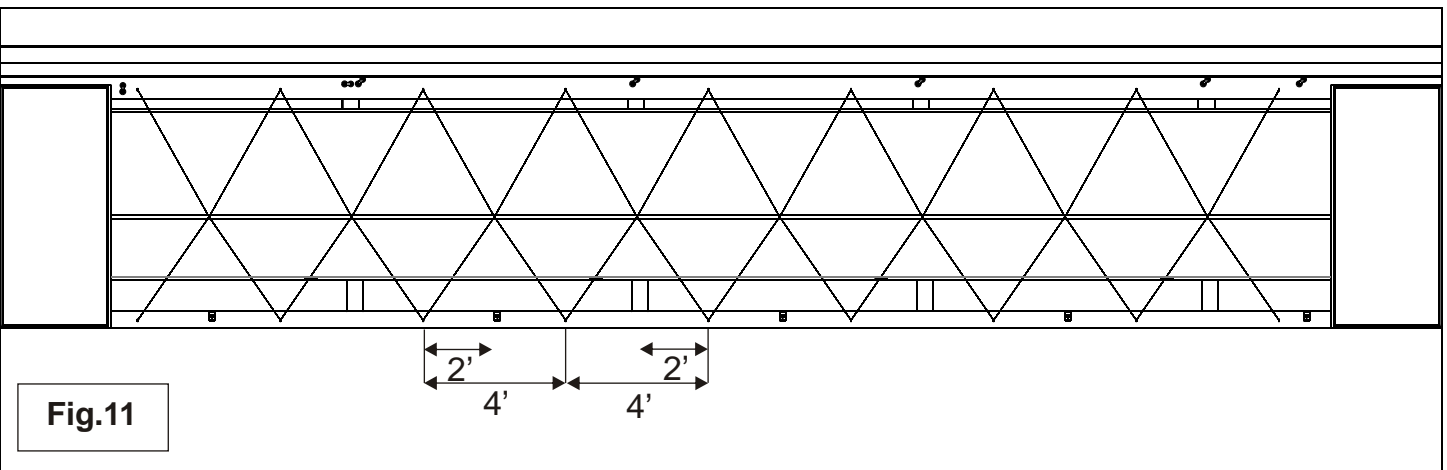
Note: the boot at the other end can be finished using a similar procedure but the extra vertical 2x4 that divides the space up for the gearbox is not required. Simply fix the boot material to the vertical member of the boot framing.

### 11. Wind Rope:

2'-0" o.c zig zag weave horizontally across opening (using nylon rope and eye screws). Note that the top and bottom eye screws are directly in line vertically, spaced every 4', while the middle eye screws are offset by 2', spaced every 4' as well. (Fig.11)

### 12. Top Eye Screws:

The top set of eye screws are best spaced 2'-0" on each side of the pulley eye screws, or 2'-0" on each side of the posts given that the pulleys are installed at a post and that the posts are 8'-0" o.c. The eye screws are to be screwed in until the threaded part ends, approximately 4 1/2" up from the bottom of the header.



---

## ***Installing Your Split System Curtains***

### **13. Middle Eye Screws:**

The middle set of eye screws are to be 2'-0" offset from the top eyes. Likely on a post, and every 4'-0" in between. They should be screwed in the entire length of the shank into the 2x4 sill. Also, these eye screws need to be pried open with a hammer, so leave the opening of the eye screws facing down.

### **14. Bottom Eye Screws:**

The bottom set of the eye screws should be vertically in line with the top eyes. Like the top eyes, screw in halfway down the shank, or until threads stop. These eyes will be about 1" from the bottom of the bottom sill plate.

### **15. Wind Rope:**

Run the rope through all of the top eyes, making sure that the cable system stays behind the rope (between the rope and the header).

Tie off loose end to the last eye. Pull rope between every eye down to the middle set of eyes on the 2x4 sill, creating a zig zag. Do this the entire length of the opening. Tighten rope by pulling at each eye screw in 2x4 sill and tie a knot when finished.

### **16. Wind Rope:**

The same thing goes for the bottom curtain, only the rope is pulled through all of the bottom eyes, then pulled up to the middle eyes in 2x4 sill creating another zig zag pattern. Tighten and tie off accordingly. Middle set of eyes need to be closed using hammer after rope is complete.

---

---

**Notes:**

---



---

**Notes:**

---



**SN01 1x3001-7005**

**92 RAILWAY ST. BOX 668  
SEAFORTH, ONTARIO, CANADA NOK 1W0**

**TEL: (519)527-2470  
FAX: (519) 527-2560**