



Dura-Lite

FIXED RIDGE

Installation Guide



Tel: (519) 527-2470
92 Railway St. P.O Box 668
Seaforth, ON Canada N0K 1W0
www.sunnorth.com

Table of Contents

Table of Contents	2
I. Installation Preparation	2
Items Included.....	2
Hardware Included	2
Tools Required.....	3
II. Important Notes.....	3
III. Procedure.....	4

Installation Preparation

Items Included

- Dura-Lite Fixed Ridge System

Hardware Included



• SN022X0408 Hex Whr Hd Tek Scr/whr.12 X 1-1/2



• SN022X4123 White 2-1/2" Wood Grips



• SN022X5896 Hex Head Lag Scr. SS 1/4 X 1-1/2



• SN727X1015 Polycarbonate Twinwall Clear 8mm



• SN750X0002 Polycarbonate Top Joiners



• SN750X1010 Dura-Lite Fixed Ridge Truss

Tools Required

- Tape Measure
- Hammer
- Rubber Mallet
- Cordless Impact
- 7/16" Socket & Adapter for Impact
- 5/16" Socket & Adapter for Impact
- 1/4" Socket & Adapter for Impact
- Utility Knife

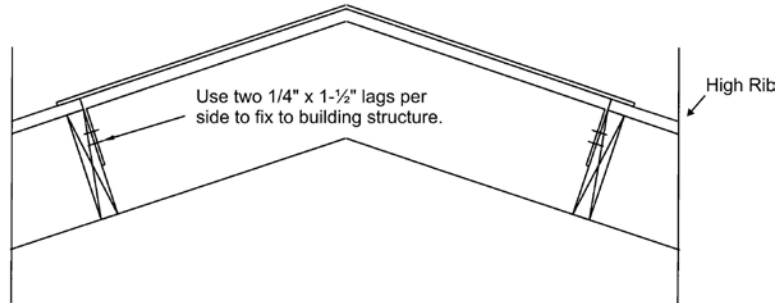
NOTE: Illustrations/images may be changed without notice. All dimensions and specifications are approximate and drawings are not to scale.

Important Notes

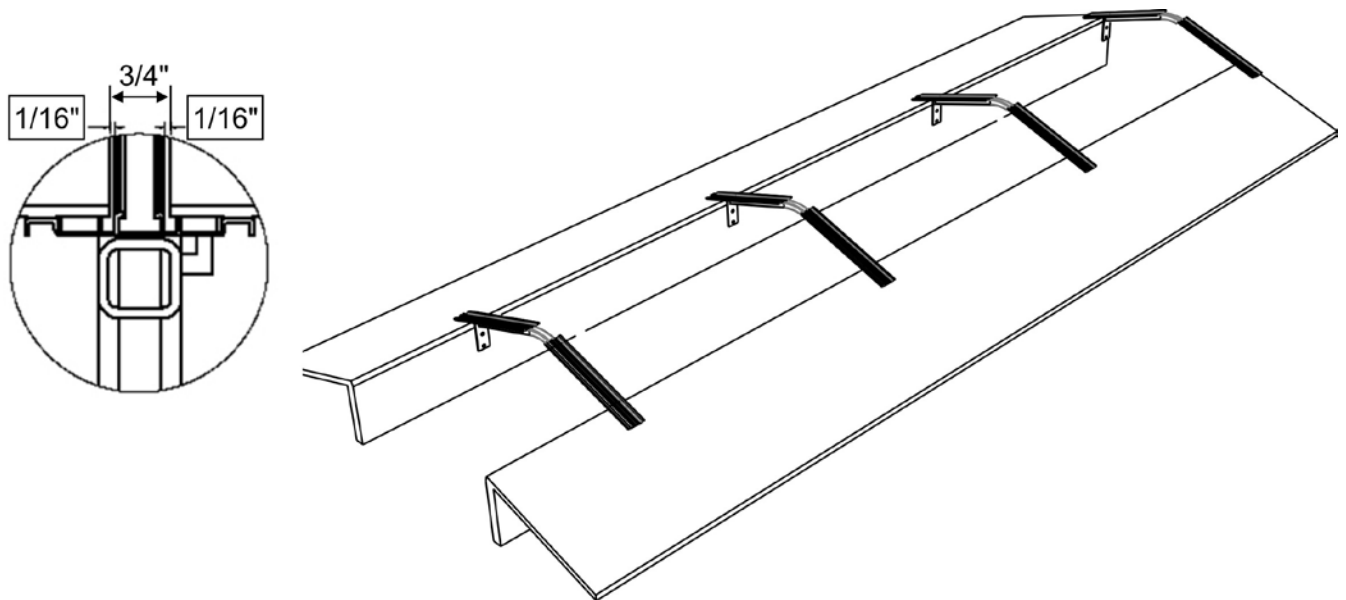
It is important to assemble a test run of the Dura-Lite installation to be sure that you understand the assembly process. For example, complete a 20' length of the ridge then proceed along the rest of the building.

Procedure

1. Start by selecting a SN750X1010 Dura-Lite Fixed Ridge Truss and using four SN022X5896 Hex Head Lag Scr. SS ¼ X 1-1/2 fix the truss to the building at one end. The top surface of the truss must be parallel and flush with the high rib of the steel roof cladding.



2. Using a sheet of glazing you can now space out the remaining trusses along the ridge of the building. Be sure to provide 1/8" of extra coverage of glazing over the truss allowing for expansion. Fix each truss in place using four SN022X5896 Hex Head Lag Scr. SS ¼ X 1-1/2.

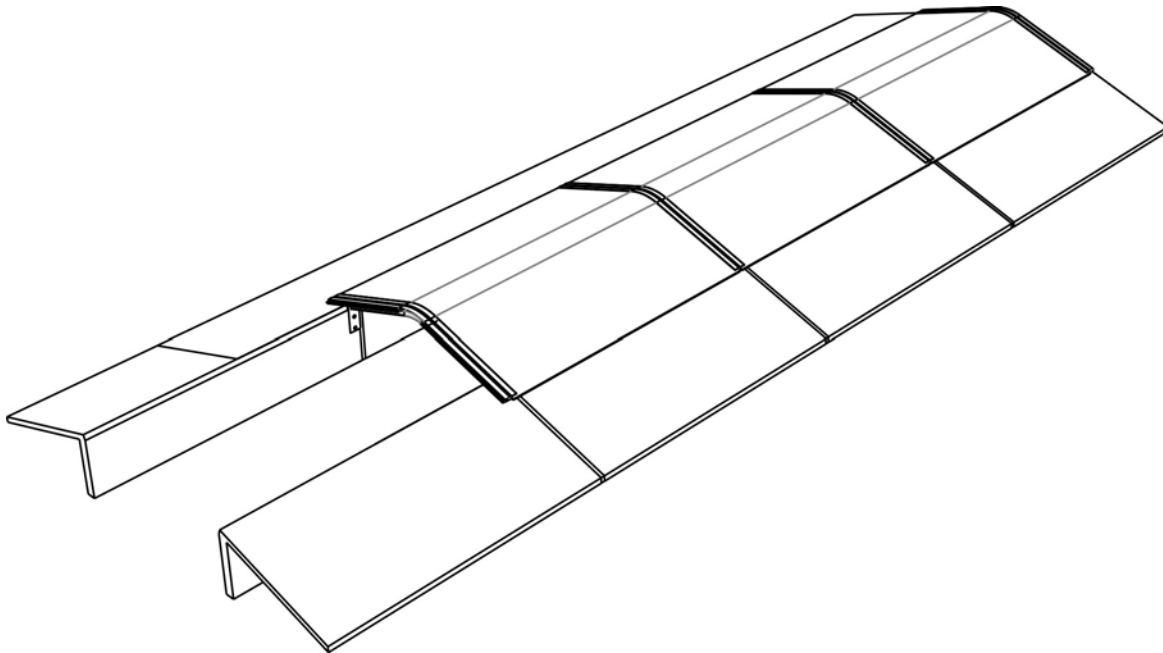


NOTE: Just do a 20' test section. Install this this section through to step 6 to completion and then proceed with the rest of the barn.

3. Each truss has a track on its top surface providing a channel system to accept a joiner strip. This joiner strip locks into the top channels of each truss in turn holding the glazing in place. Looking down at the truss channel, when the glazing is installed it should be back from the centre of the channel by $\frac{3}{8}$ ". Lay the glazing (SN727X1015) in place on each side of the trusses, you should now have $\frac{3}{4}$ " between the edges of the glazing running down the truss channel. The glazing must be in place before attaching the top joiner strip. The last sheet of glazing can be cut to fit.

4. Put the joiner strip (SN750X0002) in place and then hammer it with a rubber mallet working from the ridge down both sides of the glazing. The force of the rubber mallet will snap the strip in place.

5. After the strip is in place you must now drive SN022X0408 Hex Whr Hd Tek Scr/whr.12 X 1-1/2 through the centre of the joiner strip into the aluminum truss channel, one 4" from the ridge and the last approximately 2" from the bottom. The spacing is usually 8" to 12" on centre (see picking slip for total quantity and divide by quantity of trusses).



6. The glazing should also be fixed through the high rib of the roof steel to deck or purlin at a maximum of 12" on centre using SN022X4123 White 2-1/2" Wood Grips.